

## QTYH high pressure regulator

Home >> Products >> Air treatment units >> High pressure series >> QTYH high pressure regulator:



### Product description:

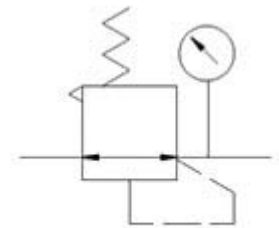
It is a very common high pressure regulator ----- air treatment units product, which is used widely for high pressure equipments. The pressure adjustable range is:0.05~3.0Mpa. If you are looking for a common high pressure regulator, we commend QTYH. They have very steady quality.

Ordering Code

Graphic symbol

QTYH  
|  
High Pressure Regulator

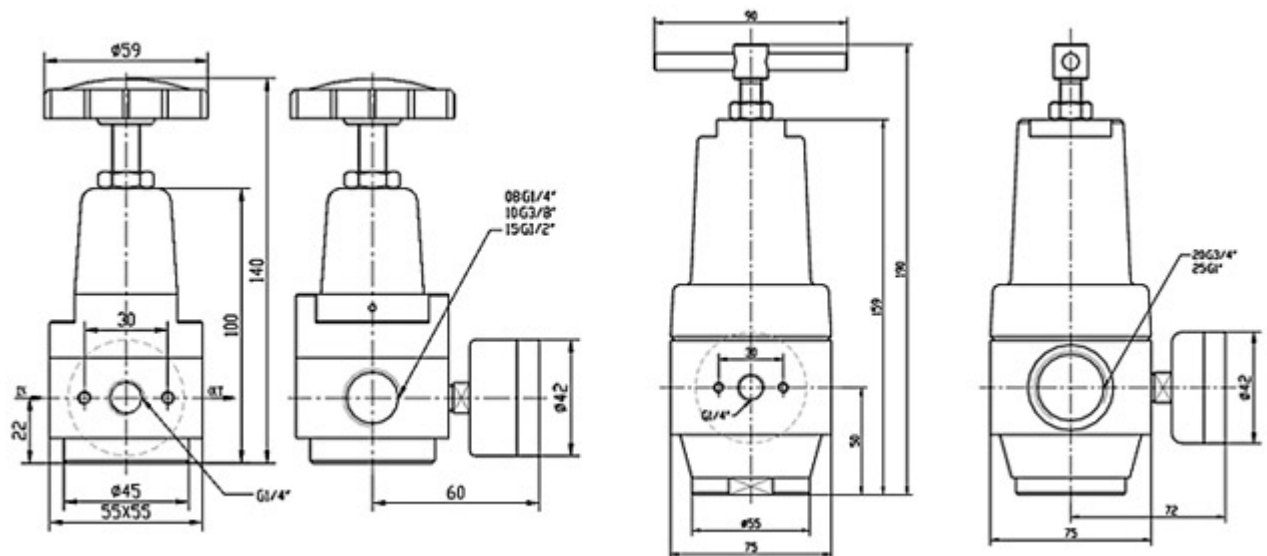
-15  
|  
Joint Pipe Bore  
08:G1/4"  
10:G3/8"  
15:G1/2"  
20:G3/4"  
25:G1"



### Overall Dimension

TYPE:QTYH-08、10、15

TYPE:QTYH-20、25



Specification					
Model	QTYH-08	QTYH-10	QTYH-15	QTYH-20	QTYH-25
Operating Fluid	Air				
Joint Pipe Bore	G1/4	G3/8	G1/2	G3/4	G1
Filtering Element Roughness	40 μ				
Range of Adjustable Pressure	0.05-3.0MPa				
Max. Adjustable Pressure	4MPa				
Operating Temperature Range	5-80°C				
Model	LQR-08		LQR-10		
Operating Fluid	Air				
Joint Pipe Bore	G1/8		G1/4		
Filtering Element Roughness	40 μ				
Range of Adjustable Pressure	0.05-0.08MPa				
Max. Adjustable Pressure	0.95MPa				
Ensured Pressure Resistance	1.5MPa				
Operating Temperature Range	5-60°C				

## Company Information:

### Company Name:

Ningbo Lida Pneumatic Kit Co.,Ltd.

**Website:**<http://www.nblida.cn>

### Address:

Eighth Quarter, Zhongxing East Road, Xikou, Fenghua, Zhejiang, China.

**Post-code:**315500

**Contact Person:**Joy Qian exporting manager

### Phone:

**Telephone:**0086-574-88846388

**Fax:**0086-574-88846288

**Email:** export@nblida.cn