

MVFA stainless steel foot valve

Home >> Products >> Directional control valve >> Other solenoid valve >> MVFA stainless steel foot valve



Product description:

This pneumatic directional control valve product ----- The MVFA stainless steel foot valve is controlled by foot step on it. They are 2/3 and 2/5 valves. They have very steady quality.

Ordering Code

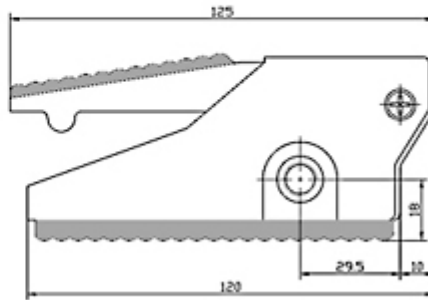
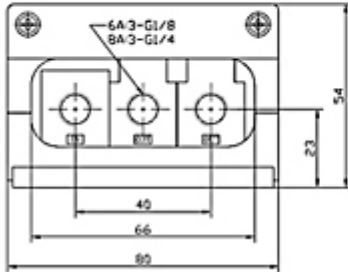
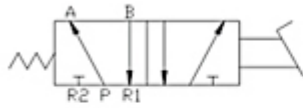
MVFA	520	-	8A
Specification code	Position and Way Number	Joint Pipe Bore	
	320__Two-position Three- way	6A:G1/8"	
	520__Two-position Five- way	8A:G1/4"	

Specification

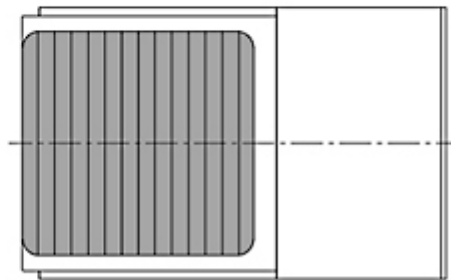
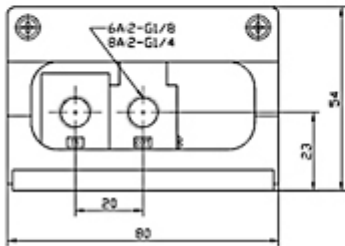
Model	MVFA320-6A	MVFA320-8A	MVFA520-6A	MVFA520-8A
Working Medium	Micron Filtered Air			
Motion Pattern	Direct Drive Type			
Joint Pipe Bore	Air Inlet=Air outlet=Exhaust=G1/8	Air Inlet=Air outlet=G1/4 Exhaust=G1/8	Air Inlet=Air outlet=Exhaust=G1/8	Air Inlet=Air outlet=G1/4 Exhaust=G1/8
Operating Temperature	0~60°C			
Position and Way Number	Two-position Three-way		Two-position Five-way	
Working-Pressure	0~0.8Mpa			

Overall Dimension

TYPE: MVFA520



TYPE: MVFA320



Company Information:

Company Name:

Ningbo Lida Pneumatic Kit Co.,Ltd.

Website:<http://www.cn-lida.com>

Address:

Eighth Quarter, Zhongxing East Road, Xikou, Fenghua, Zhejiang, China.

Post-code:315500

Contact Person:Lacey Liu exporting manager

Phone:

Telephone:0086-574-88846388

Fax:0086-574-88846288

Email:export@nblida.cn