

LQ mechanically valve & hand valve

Home >> Products >> Directional control valve >> Other solenoid valve >> LQ mechanically valve & hand valve



Product description:

LQ mechanically actuated valve & hand valve are manual and mechanical controlled. The advantages are: light operation force, good seal, and long working life. They are all 2/3 and 2/5 valves. The port size are G1/8" and G1/4" .

Ordering Code

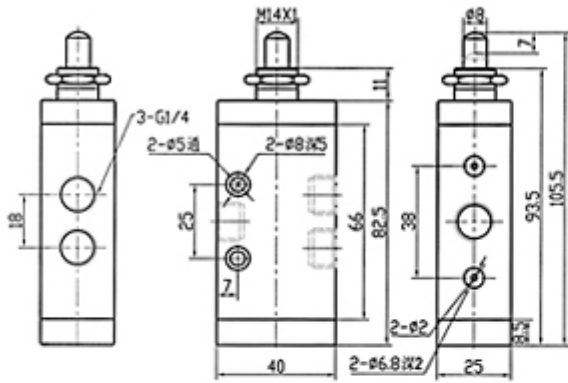
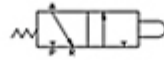
LQ	23	04	10
Company Code	Position and Way Number	Joint Pipe Bore	Type Code
	23__Tow-position Three- way	04:G1/8"	10: Pin-Lift Type
	24__Tow-position four- way	06:G1/4"	12: Pin-Lift Roller Type
	25__Tow-position Five- way		22: Hand-Drae type

Specification

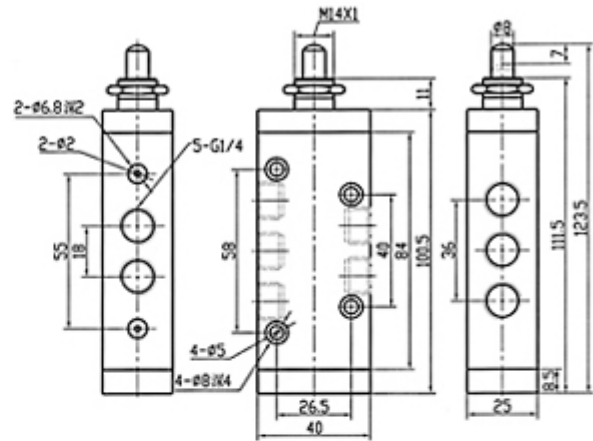
	LQ230410	LQ230610	LQ25410	LQ250610
Model	LQ230412	LQ230612	LQ250412	LQ250612
	LQ230422	LQ230622	LQ250422	LQ250622
Working Medium	Micron Filtered Air			
The Position Counting	Two-position Three-way		Tow-position Five-way	
Joint Pipe Bore	G1/8	G1/4	G1/8	G1/4
Operating Temperature	0~60°C			
Effective Sectional Area	14m MW(Cv=0.78)	16m MW(Cv=0.89)	14m MW(Cv=0.78)	16m MW(Cv=0.89)
Working-Pressure	0~0.8Mpa			

Overall Dimension

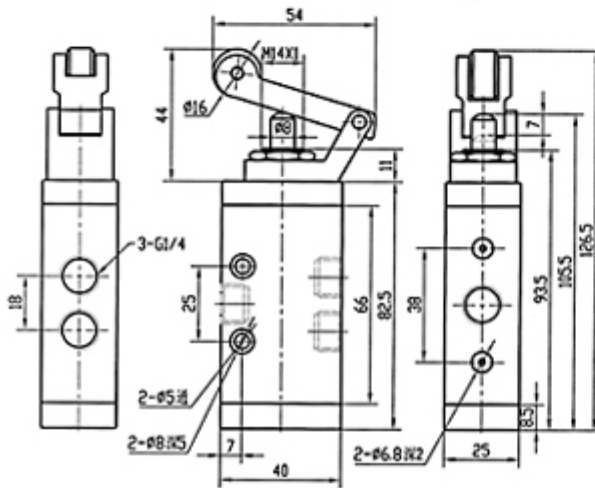
TYPE: LQ230610



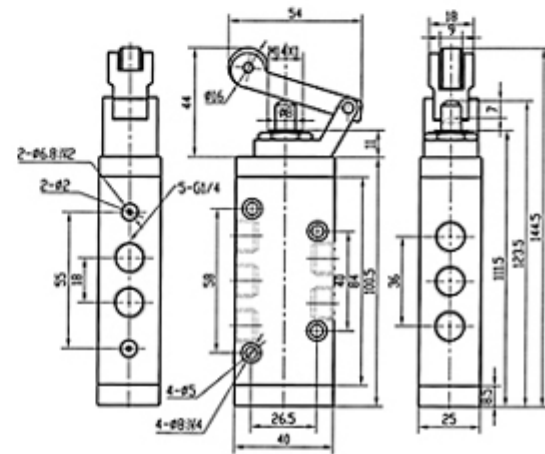
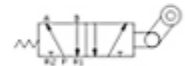
TYPE: LQ250610



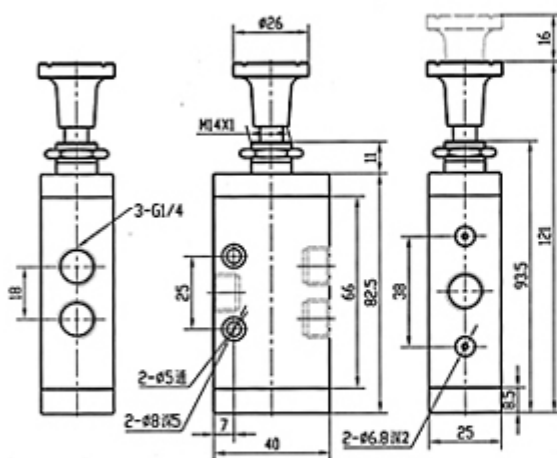
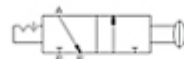
TYPE: LQ230612



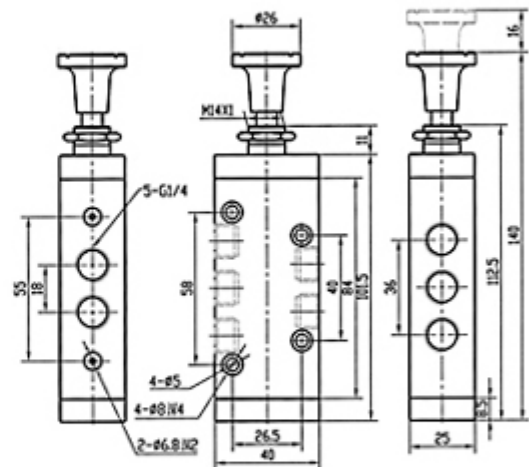
TYPE: LQ250612



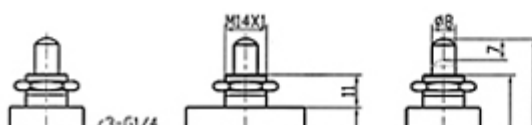
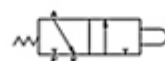
TYPE: LQ230622



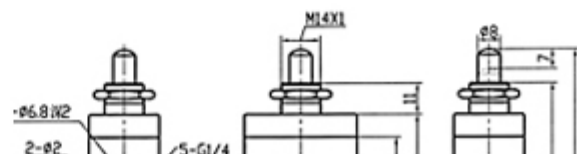
TYPE: LQ250622



TYPE: LQ230610



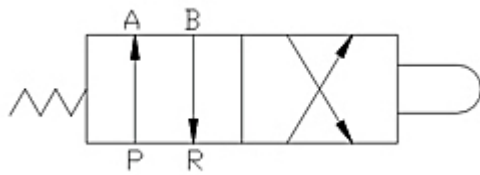
TYPE: LQ250610



Ordering Code

LQ	24	04	10
Company Code	Position Number	and WayJoint Bore	PipeType Code
	24	__ Tow-position04:G1/8"	10 : Pin-Lift Model
	four- way		

Graphic symbol



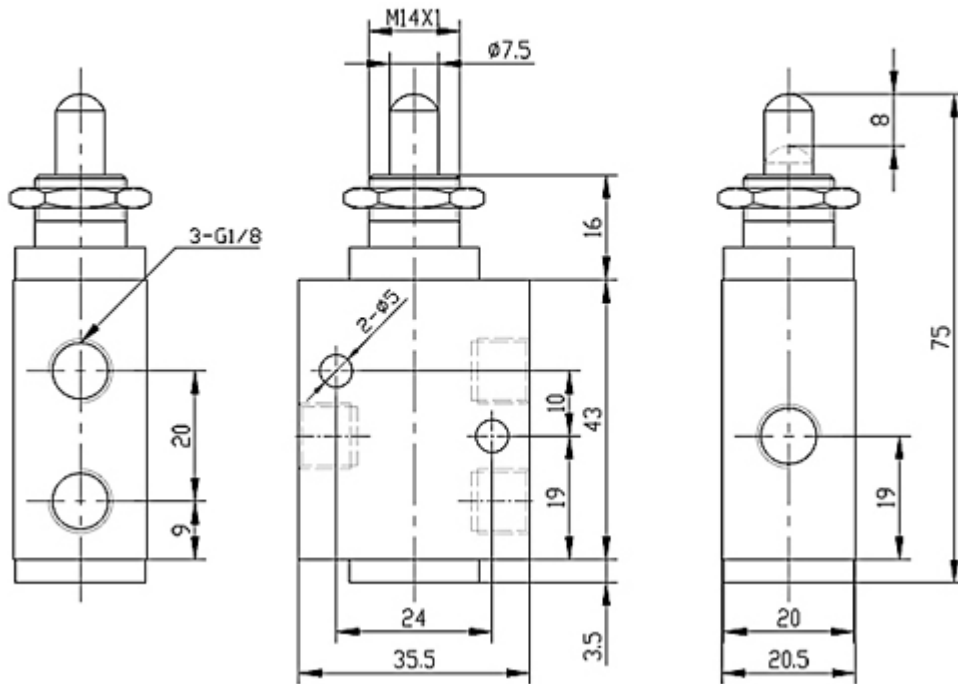
LQ240410

Specification

Model	LQ240410
Working Medium	Micron Filtered Air
The Position Counting	Two-position Three-way
Joint Pipe Bore	G1/8
Operating Temperature	0~60°C
Effective Sectional Area	14m ² (Cv=0.78)
Working-Pressure	0~0.8Mpa

Overall Dimension

TYPE:LQ240410



Company Information:

Company Name:

Ningbo Lida Pneumatic Kit Co.,Ltd.

Website:<http://www.cn-lida.com>

Address:

Eighth Quarter, Zhongxing East Road, Xikou, Fenghua, Zhejiang, China.

Post-code:315500

Contact Person:Lacey Liu exporting manager

Phone:

Telephone:0086-574-88846388

Fax:0086-574-88846288

Email:export@nblida.cn