

LQ RE One-way throttle valve

Home >> Products >> Directional control valve >> Other valve >> LQ RE One-way throttle valve:



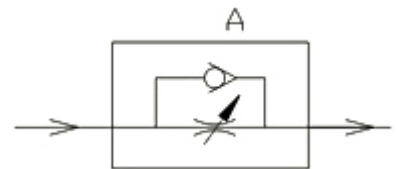
Product description:

Directional control valve product ----- LQ RE One-way throttle valve can control the air to one direction, and adjust the flow. When the air flow to right direction, it can through. When the air flow to inverted direction, the valve is closed.

Ordering Code

LQ	100400	RE	- 01
Company Code	Series No	Series Code	Joint Pipe Bore
	100400:		01:G1/8"
	100600:		02:G1/4"
			03:G3/8"
			04:G1/2"

Graphic symbol

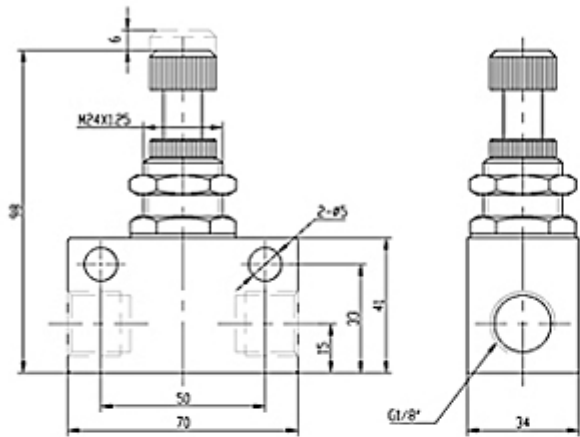


Specification

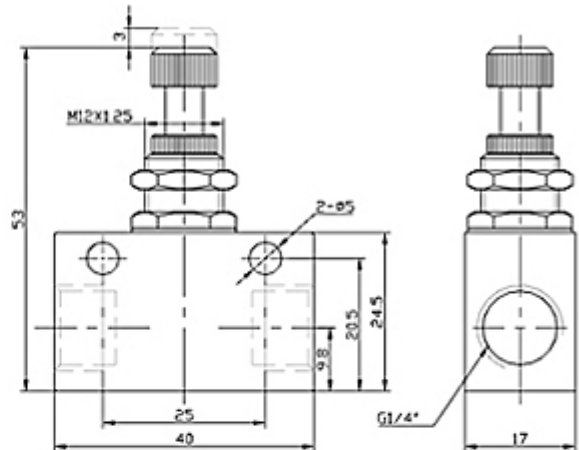
Model	LQ100400	LQ100600	RE-01	RE-02	RE-03	RE-04
Working Medium	Micron Filtered Air					
Joint Pipe Bore	G1/8	G1/4	G1/8	G1/4	G3/8	G1/2
Operating Temperature	0~60°C					
Working-Pressure	0.05~1.0Mpa					
Max. Pressure Resistance	1.5Mpa					

Overall Dimension

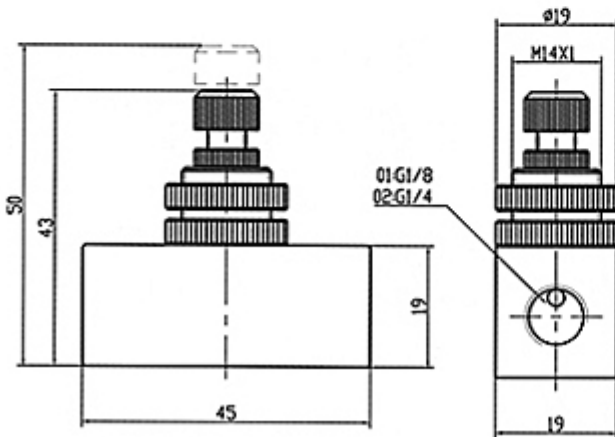
TYPE: LQ100400



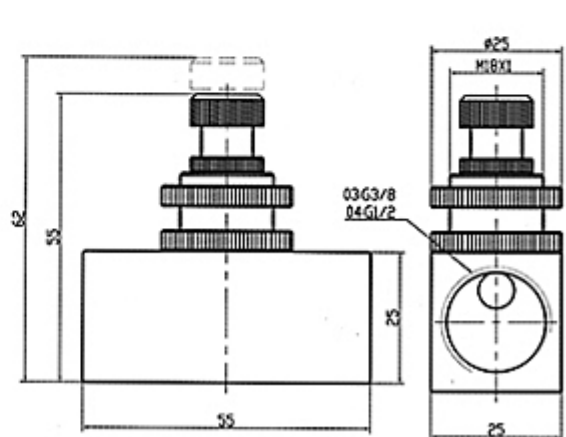
TYPE: LQ100600



TYPE: RE-01 / 02



TYPE: RE-03 / 04



Company Information:

Company Name:

Ningbo Lida Pneumatic Kit Co.,Ltd.

Website:<http://www.cn-lida.com>

Address:

Eighth Quarter, Zhongxing East Road, Xikou, Fenghua, Zhejiang, China.

Post-code:315500

Contact Person:Lacey Liu exporting manager

Phone:

Telephone:0086-574-88846388

Fax:0086-574-88846288

Email:export@nblida.cn

