

LAW filter & regulator

Home >> Products >>Air treatment units >> LAC series air treatment units >> LAW filter & regulator



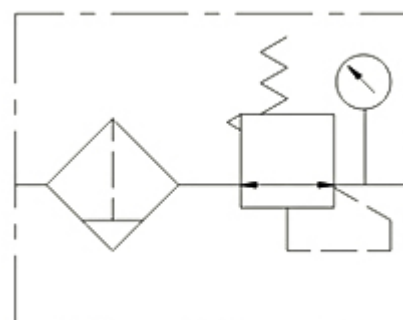
Product description:

LAC series air treatment units product ----- LAW high pressure filter & regulator are same style as SMC.It fixes filter and regulator together as one part, make it have compact dimension. But it does not affect the excellent performance of filtration and decompression. We manufacture all important parts by ourself to insure the quality, such as filter core. Outsourcing parts were selected and tested very strictly. Auto Drain can be selected. All size have overflow function.

Ordering Code

Graphic symbol

Ordering Code	Filter & Regulator	Specification	Joint	Drain	Tyre
LAW 3000 - 03 D	2000	3000	Pipe	Blank	Differential
	3000	4000	Bore	01:G1/8	D:Automatic Drain
	5000		"	"	"
			02:G1/4	"	"
			03:G3/8	"	"
			04:G1/2	"	"
			06:G3/4	"	"
			10:G1"		



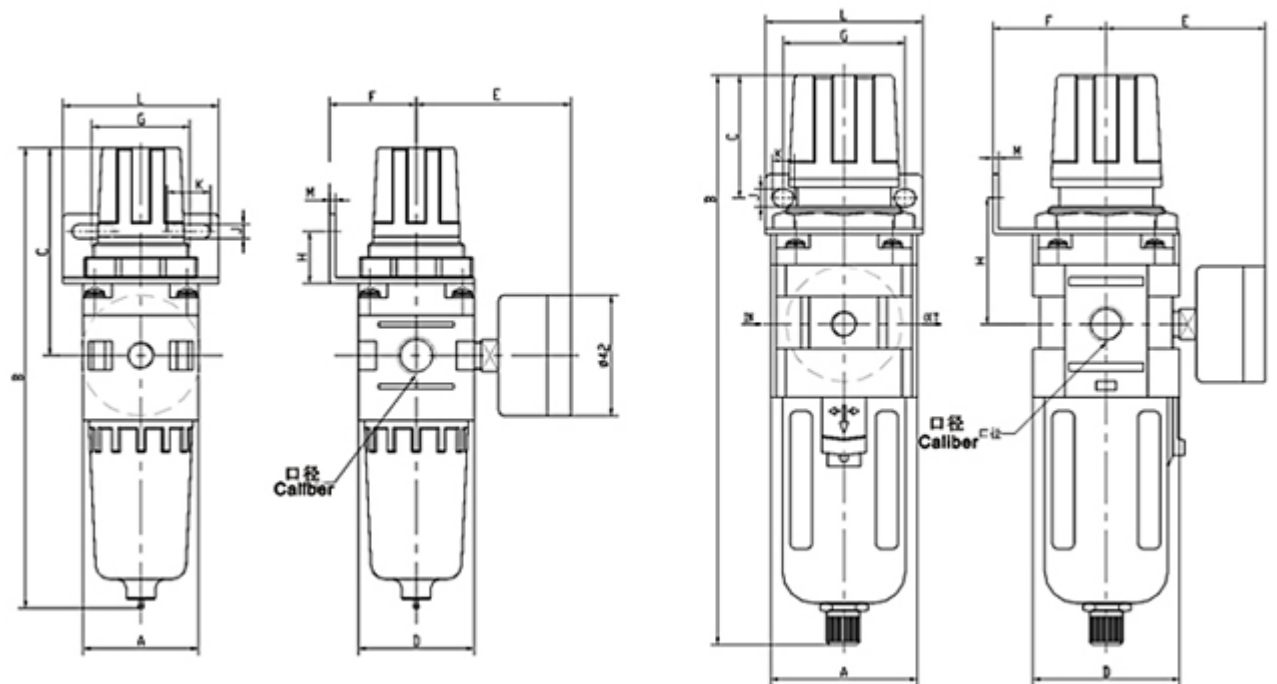
Specification

Model	LAW 2000-01	LAW 2000-02	LAW 3000-02	LAW 3000-03	LAW 4000-03	LAW 4000-04	LAW 4000-06	LAW 5000-06	LAW 5000-10
Rated Flow	550	550	2000	2000	4000	4000	4500	5500	5500
Joint Pipe Bore	G1/8	G1/4	G1/4	G3/8	G3/8	G1/2	G3/4	G3/4	G1
Filtering	25 μ								

Element		
Roughness		
Range of Adjustable Pressure	0.05-0.85MPa	
Max. Adjustable Pressure	1.0MPa	
Ensured Pressure Resistance	1.5MPa	
Operating Temperature Range	5-60°C	
Container Material	Polycarbonate	
Protective Cover	Not Available	Available
Drain Function	Differential Drain	Differential Drain、Automatic Drain
Valve Type	With Overflow	
Overall Dimension		

TYPE:LAW2000

TYPE:LAW3000-4000

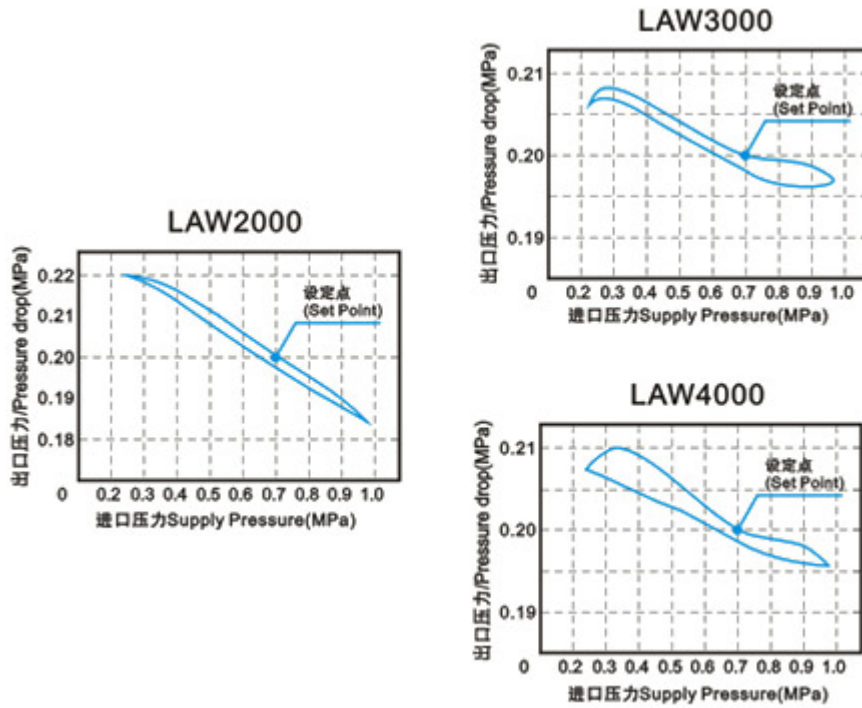


Model	Bore	A	B	C	D	E	F	G	H	J	K	L
LAW2000	1/4	40	164.5	78	40	56.8	30	34	45	5.4	15.4	55
LAW3000	1/4-3/8	53	211	92.5	53	60.8	41	40	46	6.5	8.0	53

LAW4000	3/8-1/2	70	262.5	112	70	70.5	50	54	54	8.5	10.5	70
LAW4000-06	3/4	75	267	114	70	70.5	50	54	56	8.5	10.5	70
LAW5000	3/4-1	90	338	116	90	80.5	50	54	60	10	11	91

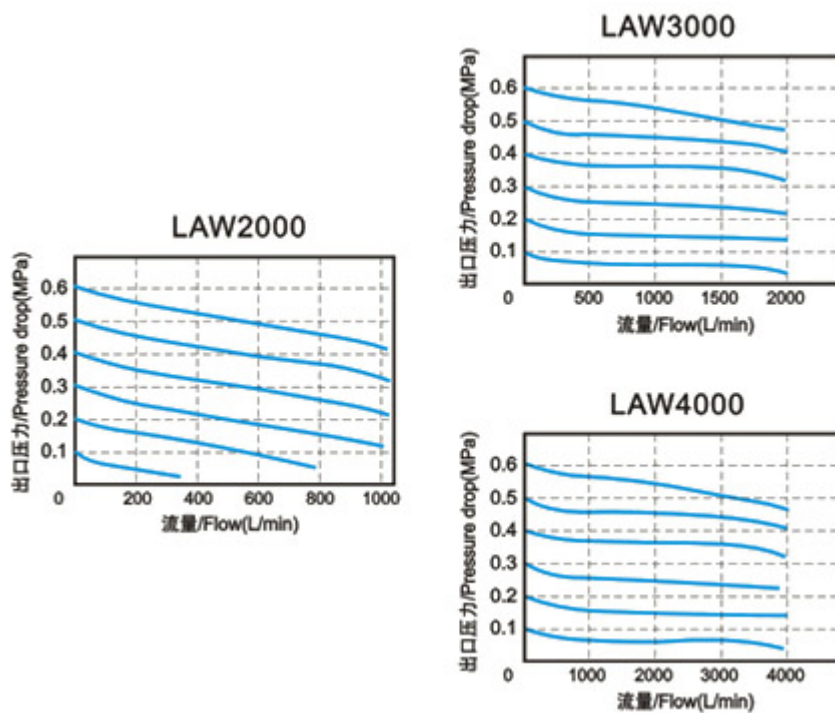
Pressure Character

Supply Pressure=0.7 MPa Secondary Pressure=0.2MPa Flow=20L/min



Flowing Character

Supply Pressure=0.7MPa



Company Information:

Company Name:

Ningbo Lida Pneumatic Kit Co.,Ltd.

Website:<http://www.nblida.cn>

Address:

Eighth Quarter, Zhongxing East Road, Xikou, Fenghua, Zhejiang, China.

Post-code:315500

Contact Person:Joy Qian exporting manager

Phone:

Telephone:0086-574-88846388

Fax:0086-574-88846288

Email: export@nblida.cn