

KLA One-way throttle valve

Home >> Products >> Directional control valve >> Other valve >> KLA One-way throttle valve:



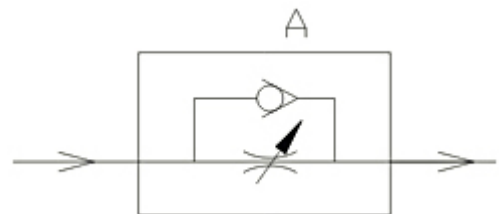
Product description:

Other valve product ----- KLA One-way throttle valve can control the air to one direction, and adjust the flow. When the air flow to right direction, it can through. When the air flow to inverted direction, the valve is closed.

Ordering Code

| | |
|------------------------|--------------------|
| KLA | 8 |
| | |
| Series No | Joint Pipe Bore |
| KLA: KLA Series | 6:M10×1(G1/8") |
| One-way Throttle Valve | 8:M12×1.25(G1/4") |
| | 10:M16×1.5(G3/8") |
| | 15:M20×1.5(G1/2") |
| | 20:M27×2(G3/4") |
| | 25:M33×2(G1") |
| | 32:M42×2(G1 1/4") |
| | 40:M48×2(G1 1/2") |
| | 50:M60×2(G2") |

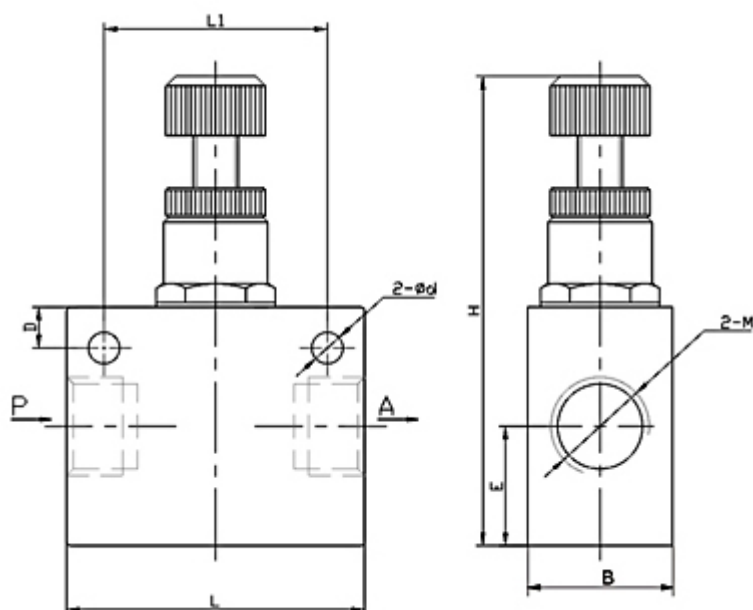
Graphic symbol



Specification

| | | | | | | |
|--------------------------|---------------------|-------|--------|--------|--------|--------|
| Model | KLA-6 | KLA-8 | KLA-10 | KLA-15 | KLA-20 | KLA-25 |
| Working Medium | Micron Filtered Air | | | | | |
| Joint Pipe Bore | G1/8 | G1/4 | G3/8 | G1/2 | G3/4 | G1 |
| Operating Temperature | 0~60°C | | | | | |
| Working-Pressure | 0.05~1.0Mpa | | | | | |
| Max. Pressure Resistance | 1.5Mpa | | | | | |

Overall Dimension



Dimension Sheet

| Model | Aperture | L | L1 | H | B | M | E | D | $\varnothing d$ |
|--------|----------|----|----|---------|----|----------------|------|-----|-----------------|
| KLA-6 | 6 | 40 | 30 | 61~70 | 20 | M10×1(G1/8) | 16 | 5 | 4.2 |
| KLA-8 | 8 | 40 | 30 | 61~70 | 20 | M12×1.25(G1/4) | 16 | 5 | 4.2 |
| KLA-10 | 10 | 50 | 38 | 79~88 | 25 | M16×1.5(G3/8) | 19.5 | 6 | 5 |
| KLA-15 | 15 | 60 | 46 | 88~102 | 28 | M20×1.5(G1/2) | 25 | 7.5 | 7.2 |
| KLA-20 | 20 | 65 | 45 | 105~114 | 35 | M27×2(G3/4) | 29 | 9 | 7 |
| KLA-25 | 25 | 65 | 45 | 105~114 | 44 | M33×2(G1) | 29 | 9 | 7 |

Company Information:

Company Name:

Ningbo Lida Pneumatic Kit Co.,Ltd.

Website:<http://www.cn-lida.com>

Address:

Eighth Quarter, Zhongxing East Road, Xikou, Fenghua, Zhejiang, China.

Post-code:315500

Contact Person:Lacey Liu exporting manager

Phone:

Telephone:0086-574-88846388

Fax:0086-574-88846288

Email:export@nblida.cn