

KKP quick exhaust valve

Home >> Products >> Directional control valve >> Other valve >> KKP quick exhaust valve:



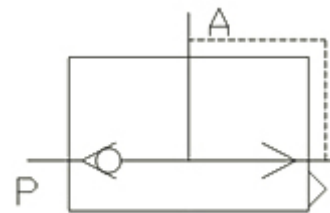
Product description:

KKP quick exhaust valve usually used between air cylinder and directional control valve. It can make sure the air in air cylinder do not flow back to the directional control valve, the air can exhaust by the quick exhaust valve. It can help the cylinder work very quickly.

Ordering Code

KKP	-L8
Series No	Joint Pipe Bore
KKP Series Quick	L6:G1/8"
Exhaust Valve	L8:G1/4"
	L10:G3/8"
	L15:G1/2"
	L20:G3/4"
	L25:G1"
	L32:G1 1/4"
	L40:G1 1/2"

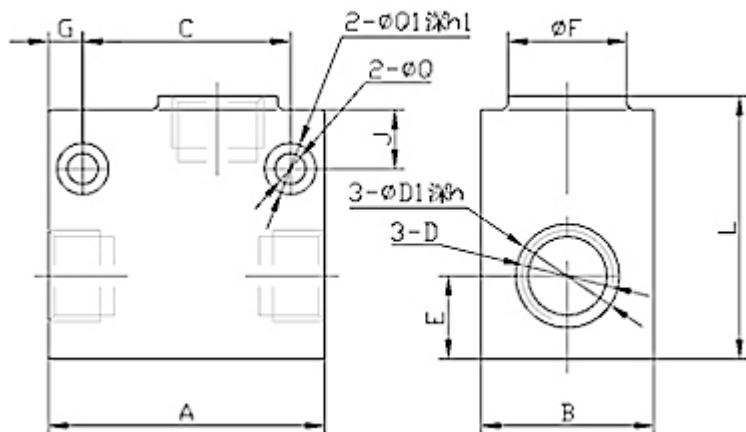
Graphic symbol



Specification

Model	KKP-L6	KKP-L8	KKP-L10	KKP-L15	KKP-L20	KKP-L25	KKP-L32	KKP-L40
Working Medium	Micron Filtered Air							
Joint Pipe Bore	G1/8	G1/4	G3/8	G1/2	G3/4	G1	G1 1/4	G1 1/2
Operating Temperature	0~60°C							
Working-Pressure	0.05~0.8Mpa							
Max. Pressure Resistance	1.2Mpa							

Overall Dimension



Dimension Sheet

Model	A	B	C	D	D1	E	F	G	h	h1	J	L	Q	Q1
KKP-L6	56	25	36	M10×1(G1/8)	13	14	/	10	1.8	5	9	40	4.8	8
KKP-L8	58	30	36	M12×1.25(G1/4)	16	18.5	/	11	1.8	5	9	45	4.8	8
KKP-L10	80	44	58	M16×1.5(G3/8)	20	23	/	12	1.8	6	8	60	7	12
KKP-L15	80	44	58	M20×1.5(G1/2)	24	23	/	12	2.7	6	8	60	7	12
KKP-L20	128	72	98	M27×2(G3/4)	32	36	50	15	2.7	8	10	95	10	15
KKP-L25	128	72	98	M33×2(G1)	40	36	50	15	2.7	8	10	95	10	15
KKP-L32	158	88	126	M42×2(G1 1/4)	48	44	64	16	2.7	8	10	112	10	15
KKP-L40	158	88	126	M48×2(G1 1/2)	54	44	64	16	2.7	8	10	112	10	15

Company Information:

Company Name:

Ningbo Lida Pneumatic Kit Co.,Ltd.

Website:<http://www.cn-lida.com>

Address:

Eighth Quarter, Zhongxing East Road, Xikou, Fenghua, Zhejiang, China.

Post-code:315500

Contact Person:Lacey Liu exporting manager

Phone:

Telephone:0086-574-88846388

Fax:0086-574-88846288

Email:export@nblida.cn