

HV Hand-switch valve

Home >> Products >> Directional control valve >> Other solenoid valve >> HV Hand-switch valve



Product description:

Manually and mechanically actuated valve product ----- hand switch valve of this valve is manual controlled. The advantages are: light operation force, good seal, and long working life. It can be 2/3 or 2/5 valve.

Ordering Code

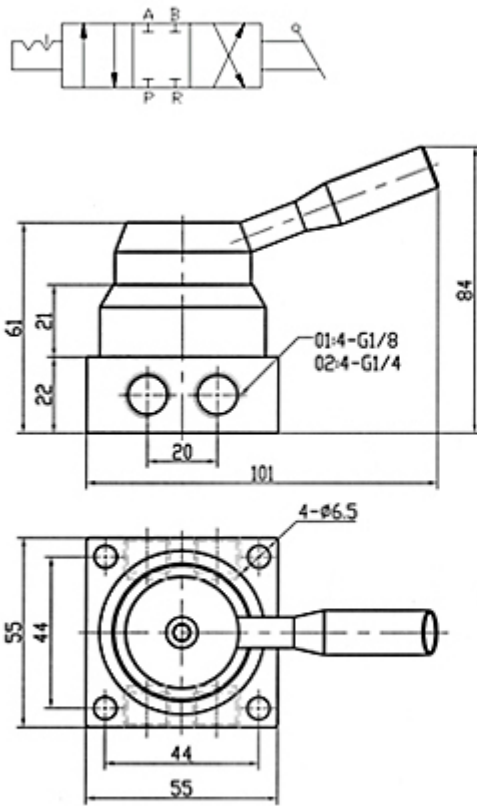
HV	400	02
Specification code	Series No	Joint Pipe Bore
	200__00 Series	01:G1/8"
	400__00 Series	02:G1/4"
		03:G3/8"
		04:G1/2"

Specification

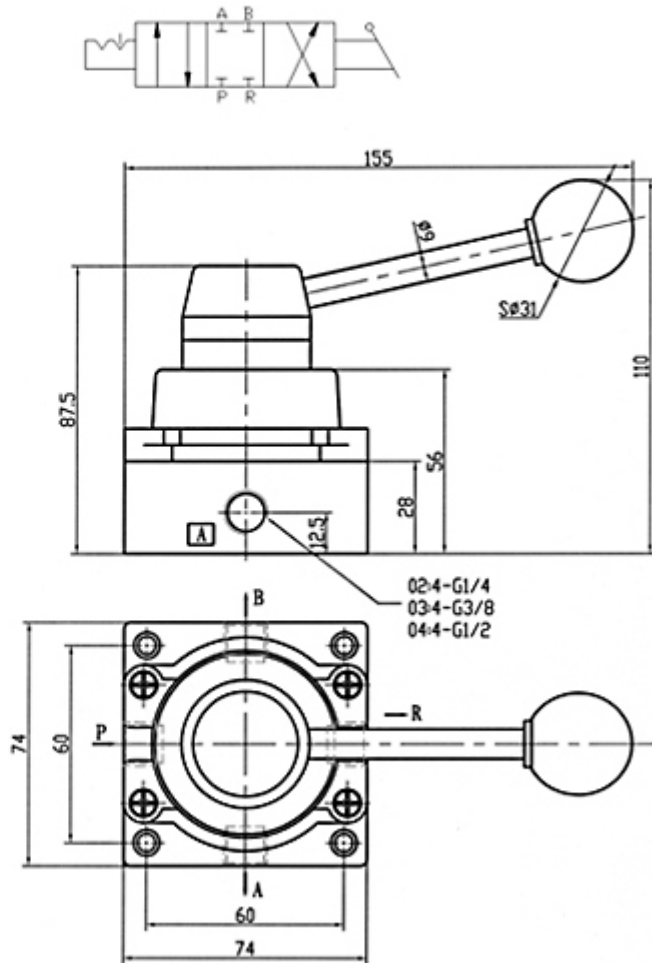
Model	HV200-01	HV-200-02	HV400-02	HV400-03	HV400-04
Working Medium	Micron Filtered Air				
The Position Counting	Two-position Three-way	Two-position Five-way			
Joint Pipe Bore	G1/8	G1/4	G1/4	G3/8	G1/2
Operating Temperature	0~60℃				
Effective Sectional Area	18m MW Cv=1.00)		30m MW Cv=1.68)		
Working-Pressure	0~0.8Mpa				

Ordering Dimension

TYPE: HV200



TYPE: HV400



Company Information:

Company Name:

Ningbo Lida Pneumatic Kit Co.,Ltd.

Website:<http://www.cn-lida.com>

Address:

Eighth Quarter, Zhongxing East Road, Xikou, Fenghua, Zhejiang, China.

Post-code:315500

Contact Person:Lacey Liu exporting manager

Phone:

Telephone:0086-574-88846388

Fax:0086-574-88846288

Email:export@nblida.cn