

## AL BL lubricator

Home >> Products >> Air treatment units >> AC series Air treatment units >> AL BL lubricator:



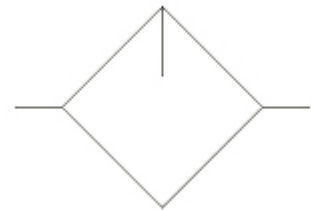
### Product description:

LAC F.R.L air treatment units ----- compressed air treatment units are same style as SMC. It includes 3 parts: filter, regulator and lubricator. It has standard dimensions and steady performance. We manufacture all important parts by ourself to insure the quality. Outsourcing parts were selected and tested very strictly. Auto Drain can be selected. All size have overflow function.

Ordering Code

Graphic symbol

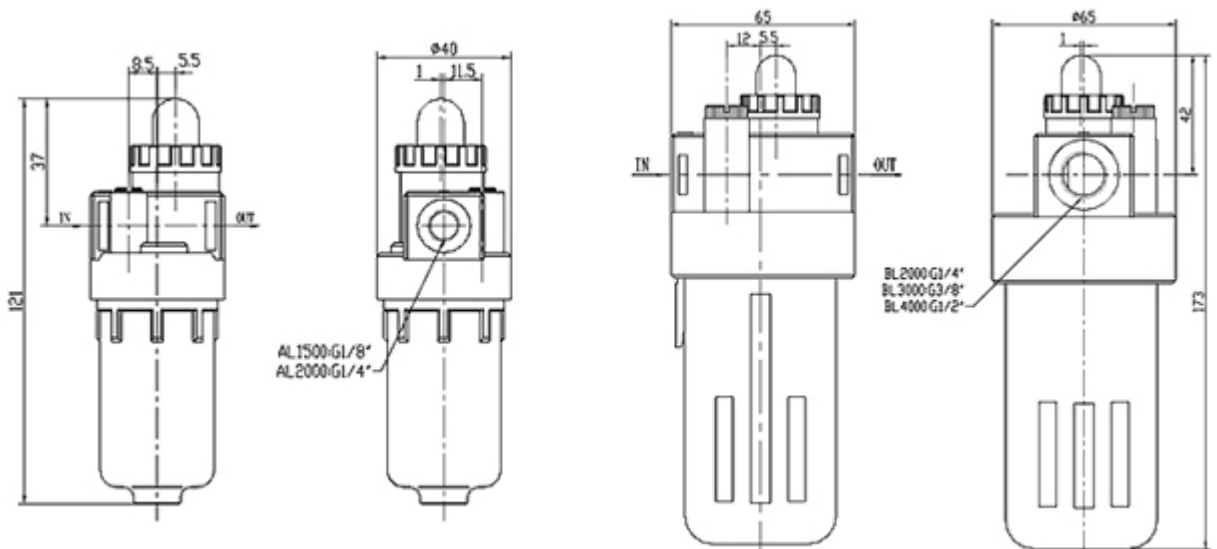
BL	3000
TYPE	Joint Pipe Bore
AL: Small Size	1500: G1/8"
BL: Middle size	2000: G1/4"
	3000: G3/8"
	4000: G1/2"



Overall Dimension

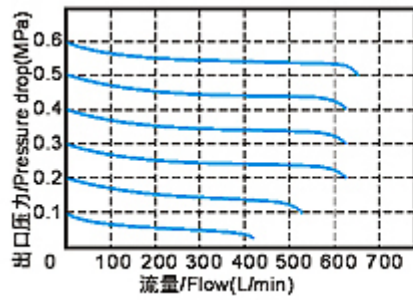
TYPE: AL1500 (2000)

TYPE: BL2000 (3000、4000)

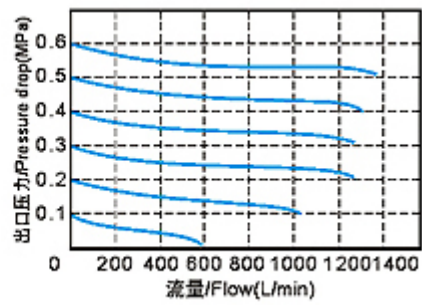


Flowing Character

AL1500 (2000)



BL2000 (3000、4000)



## Specification

Model	AL1500	AL2000	BL2000	BL3000	AL4000
Operating Fluid	Air				
Joint Pipe Bore	G1/8	G1/4	G1/4	G3/8	G1/2
Ensured Pressure Resistance	1.5MPa				
Operating Temperature Range	5-60°C				
Capacity of Filter Cup	25cc		90cc		
Suggested Lube	ISO VG32 or Same Grade Oil				
Weight	0.14Kg		0.33Kg		
Material	Body				
	Aluminum Die-casting Forming				
	Container Cup				
	PE				
	Protective Cup Cover				
	-				

**Company Information:****Company Name:**

Ningbo Lida Pneumatic Kit Co.,Ltd.

**Website:**<http://www.nblida.cn>**Address:**

Eighth Quarter, Zhongxing East Road, Xikou, Fenghua, Zhejiang, China.

**Post-code:**315500**Contact Person:**Joy Qian exporting manager**Phone:****Telephone:**0086-574-88846388**Fax:**0086-574-88846288**Email:** export@nblida.cn