

3V1 solenoid valve

Home >> Products >> Directional control valve >> Other solenoid valve >> 3V1 solenoid valve



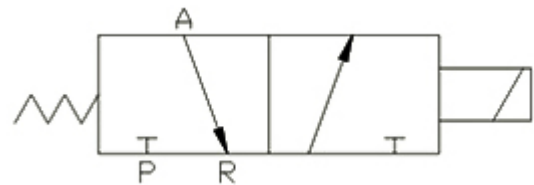
Product description:

Usually, 3V1 high pressure solenoid valve are used to control Directional control valve for large flow. Also, they can be used as a low power 2/3 valve.

Ordering Code

3V	1	- 06	- AC110V
Specification code	Series	Joint Pipe	Standrd
3V:	Three-position	Code	Bore
Tow-	way	Solenoid1:100Series	M5:M5
Valve		06:G1/8	DC12V
			DC24V
			AC24V
			50Hz/60Hz
			AC110V
			50Hz/60Hz
			AC220V
			50Hz/60Hz
			AC380V
			50Hz/60Hz

Graphic symbol



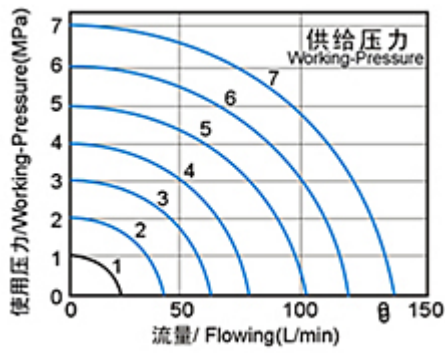
Specification

Model	3V1-M5	3V1-06
Working Medium	40 Micron Filtered Air	
Motion Pattern	Direct Drive Type	
Joint Pipe Bore	M5	G1/8
Air Outlet Diameter	1.2	
Operating Temperature Range	-10~60°C	
Lubrication	Not Necessary	
Working Pressure	0~0.8Mpa	
Max. Pressure Resistance	1.2Mpa	
Voltage Range	±10%	

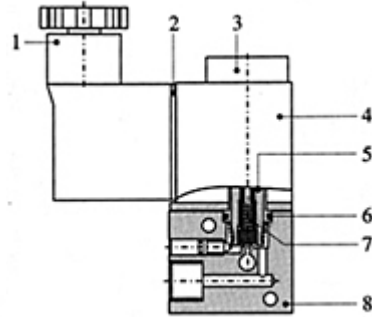
Power Connection Form
 Protection Class/Insulation
 Power Consumption
 Material of Body
 Highest Action Frequency
 Shortest Excitation Time

Connector Type
 IP65/F Class
 AC:4.5V/DC:3W
 Aluminum alloy
 10 Cycle/Sec
 0.05Second

Flowing Character

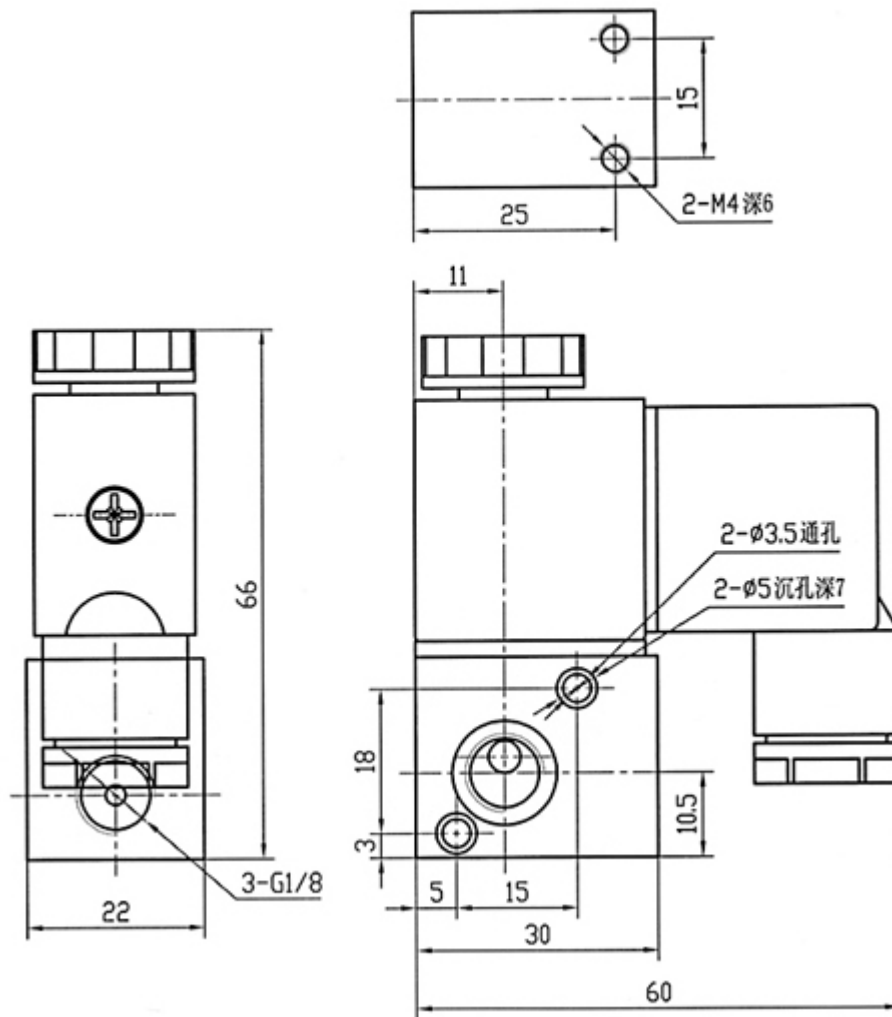


Inner Construction



serial number	name
1	wiring port
2	port gasket
3	nut
4	coil
5	movable iron module
6	O-ring
7	spring
8	valve body

Overall Dimension



Company Information:

Company Name:

Ningbo Lida Pneumatic Kit Co.,Ltd.

Website:<http://www.cn-lida.com>

Address:

Eighth Quarter, Zhongxing East Road, Xikou, Fenghua, Zhejiang, China.

Post-code:315500

Contact Person:Lacey Liu exporting manager

Phone:

Telephone:0086-574-88846388

Fax:0086-574-88846288

Email:export@nblida.cn