

## 300 series LD

Home >> Products >> Directional control valve >> LD solenoid valve and air valve >> 300 series LD:



### Product description:

These pneumatic directional control valves products ----- pneumatic control valve of LD series solenoid valve and air valve can replace 3V and 4V valves. LD is same dimensions and function as 3V,4V. They are improved from 3V and 4V valves.

The advantage of LD valves:

LD series adopt imported seal.

LD valve shaft is "HARD ANODIZING" Processed.

LD coil have over loading protecting.

### Ordering Code

LD	25	1	3	3	B	C	AC220V
Company Code	Position and way number	Control Type	Series NO	Joint Bore	Pipe Joint Form	Pipe Three-position	Standrd Voltage
	Tow-position	electro-control	08:G1/4	Blank:Pipe connection	C:Close Type	Dc12v	
	Three- way	Double	10:G3/8	type	E:Exhaust Type	Dc24v	
	Tow-position	Electro-control		B:Plate connection	P:Preurs Type	Ac24v	
	Five- way	Single	air			50Hz/60Hz	
	Three-position	control				Ac110v	
	Five- way	Double	air		Type	50Hz/60Hz	
		control				Ac220v	
						50Hz/60Hz	
						Ac380v	
						50Hz/60Hz	

### Specification

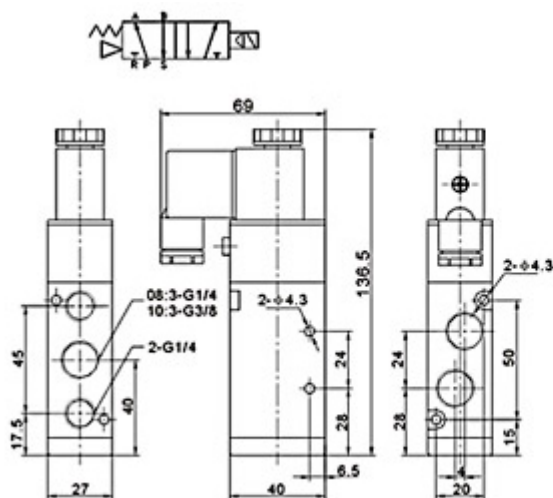
Model	LD 23132	LD 23232	LD 23133	LD 23233	LD 25132	LD 25232	LD 35232C	LD 35232E
	LD 23332	LD 23432	LD 23333	LD 23433	LD 25332	LD 25432	LD 35432C	LD 35432E
Working	40 Micron Filtered Air							

Medium						
Motion Pattern	Inner Guide Type					
Joint Pipe Bore	进气 = 出气 = 进气 = 出气 = 进气 = 出气 = 排气 = G1/4 = G3/8					
The Position Counting	Two-position	Three-way	Two-position	Five-way	Three-position	Five-way
Operating Temperature	5~50°C(41-122°F)					
Effective Sectional Area	25mm <sup>2</sup> (Cv=1.39)	30mm <sup>2</sup> (Cv=1.67)	25mm <sup>2</sup> (Cv=1.39)	18mm <sup>2</sup> (Cv=1.00)	30mm <sup>2</sup> (Cv=1.67)	18mm <sup>2</sup>
Working Pressure	0.15~0.8Mpa					
Max. Pressure	1.2Mpa					
Resistance						
Power Consumption	AC:4.5VA DC:3W					
Protection Class	IP65(DIN40050)					
Insulation	F 级					
Wiring Form	Lead Wire or Connector Type					
Voltage Range	±10%					
Highest Action Frequency	5 Cycle/Sec		5 Cycle/Sec		3 Cycle/Sec	
Shortest Excitation Time	0.05 Second					
Model	LD25133	LD25233	LD35233C	LD35233E	LD35233P	
	LD25333	LD25433	LD35433C	LD35433E	LD35433P	
Working Medium	40 Micron Filtered Air					
Motion Pattern	Inner Guide Type					
Joint Pipe Bore	进气=出气= G3/8 排气= G1/4					
The Position Counting	Two-position	Five-way	Three-position	Five-way	Two-position	Five-way

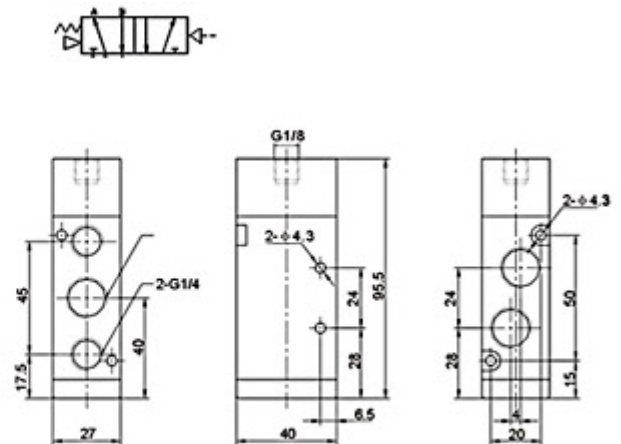
Operating Temperature	5~50°C(41-122°F)				
Effective Sectional Area	30mm <sup>2</sup> (Cv=1.67)	25mm <sup>2</sup> (Cv=1.39)	18mm <sup>2</sup> (Cv=1.00)	30mm <sup>2</sup> (Cv=1.67)	18mm <sup>2</sup> (Cv=1.00)
Working Pressure	0.15~0.8Mpa				
Max. Pressure Resistance	1.2Mpa				
Power Consumption	AC:4.5VA DC:3W				
Protection Class	IP65(DIN40050)				
Insulation	F 级				
Wiring Form	Lead Wire or Connector Type				
Voltage Range	±10%				
Highest Action Frequency	5 Cycle/Sec		3 Cycle/Sec		
Shortest Excitation Time	0.05 Second				

Overall Dimension

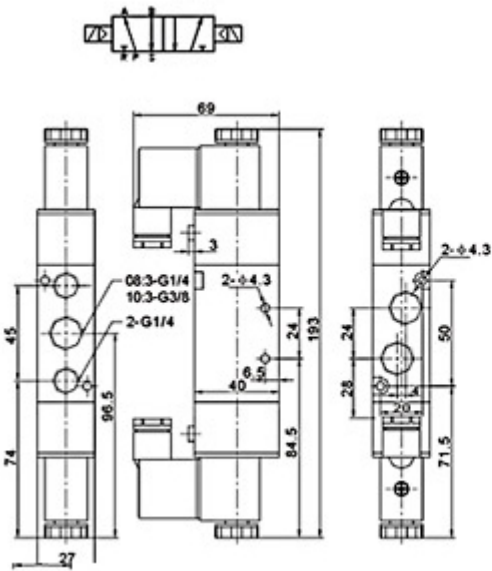
LD25133



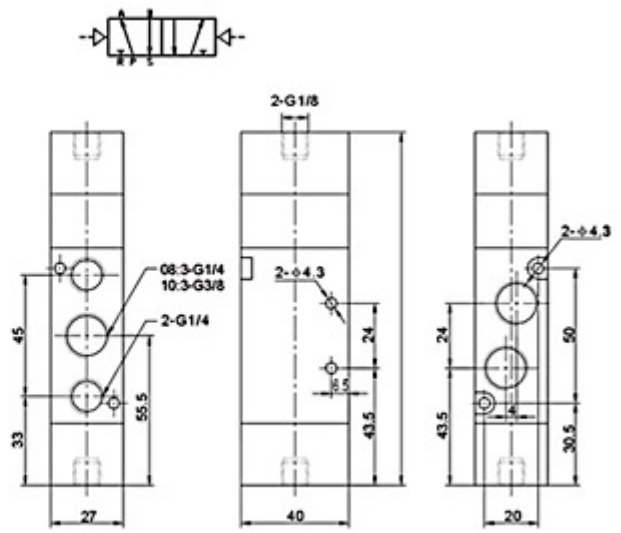
LD25333



LD25233



LD25433



LD35233C

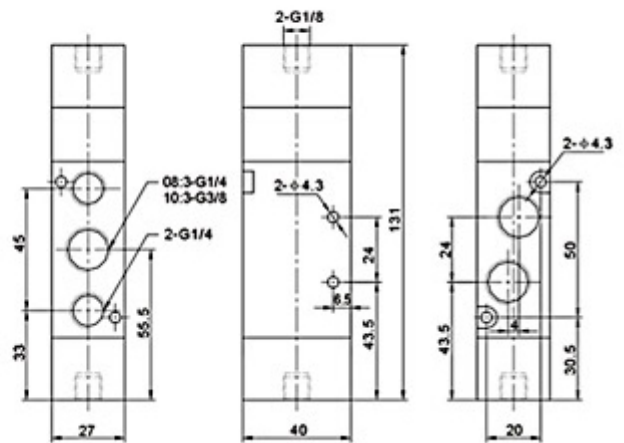
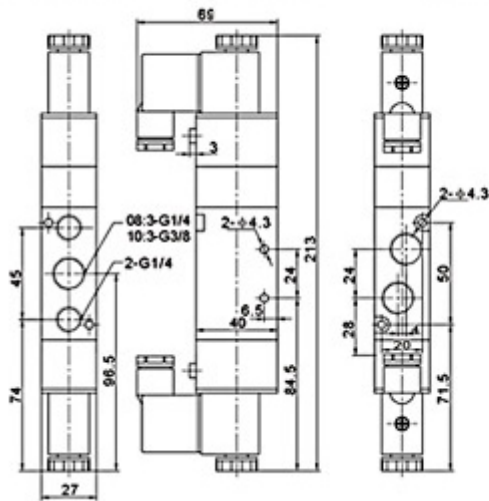
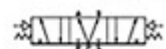
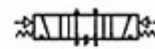
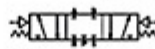
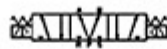
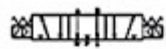
LD35233E

LD35233P

LD35433C

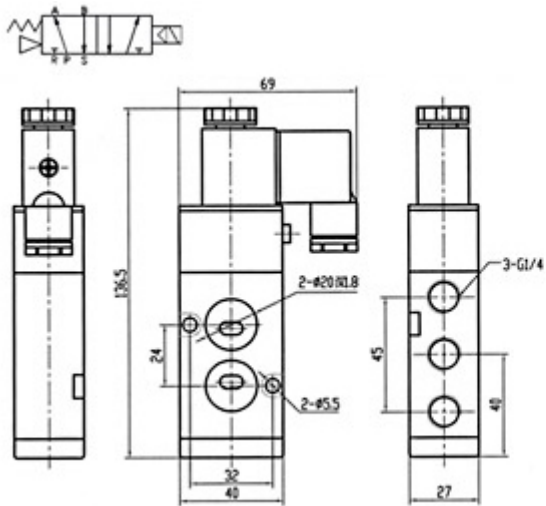
LD35433E

LD35433P

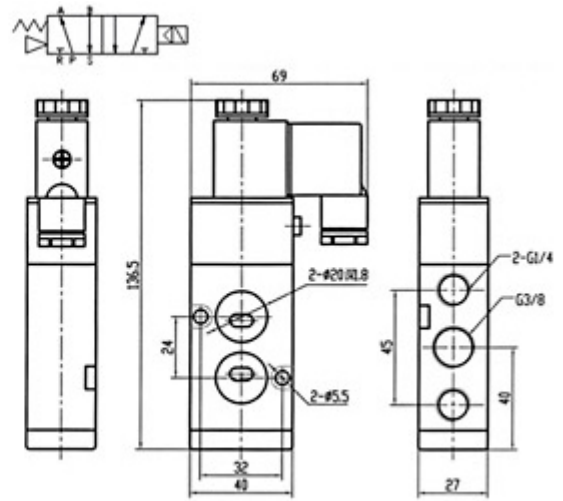


LD25132B

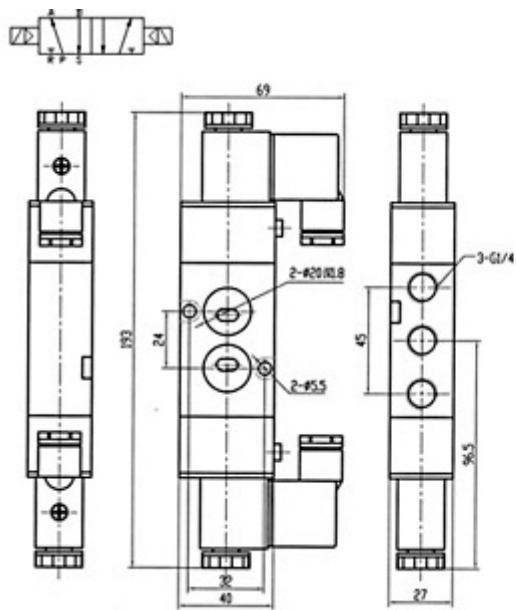
LD25133B



LD25232B



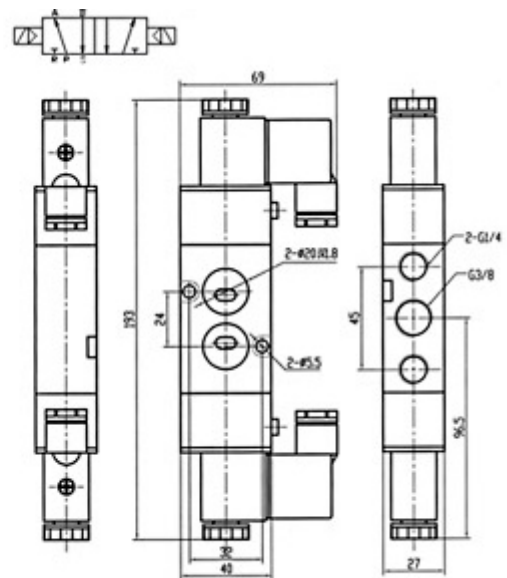
LD25233B



LD35232BC

LD35232BE

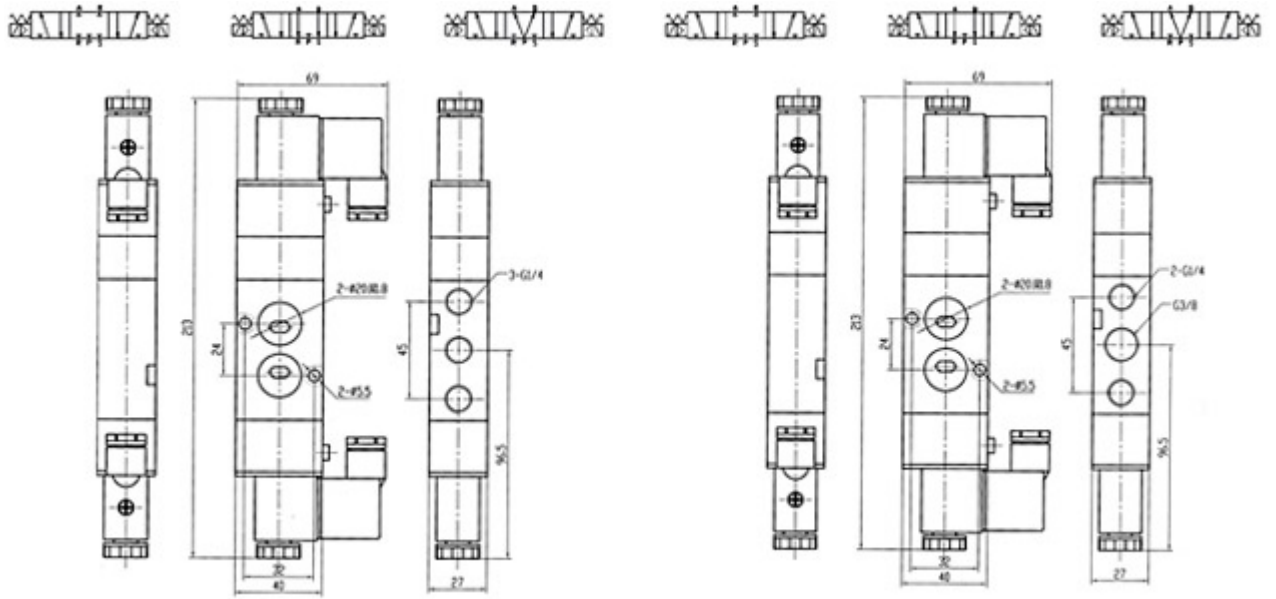
LD35232BP



LD35233BC

LD35233BE

LD35233BP

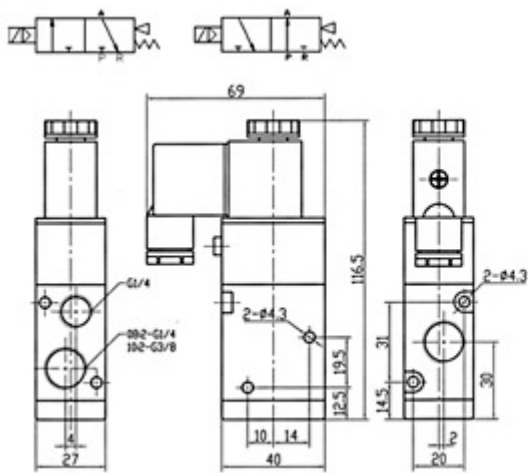


LD25133NC

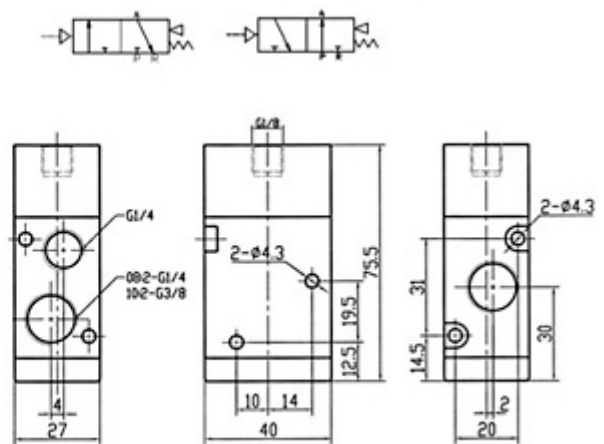
LD25133NO

LD23333NC

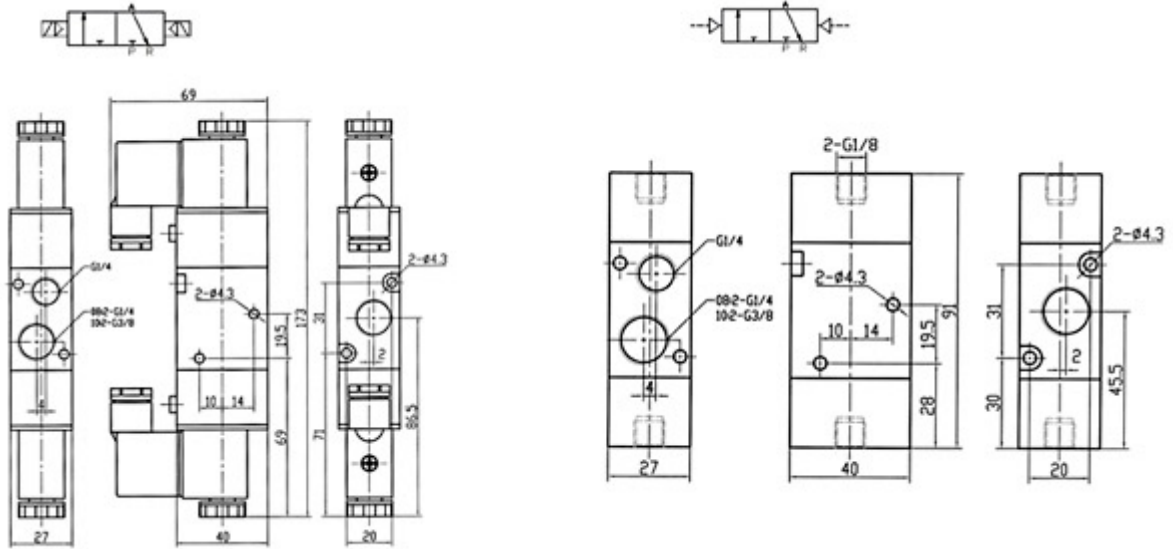
LD23333NO



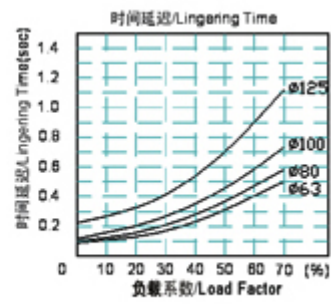
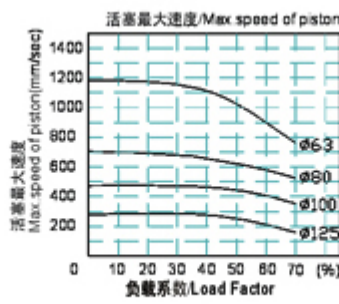
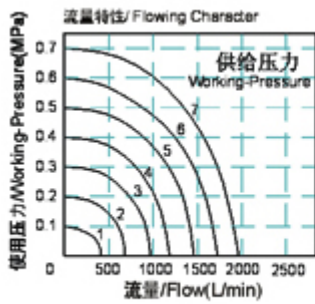
LD23233



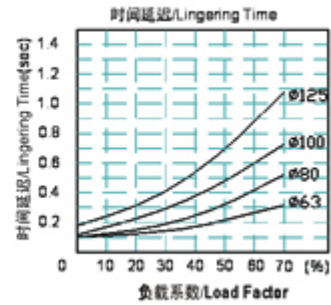
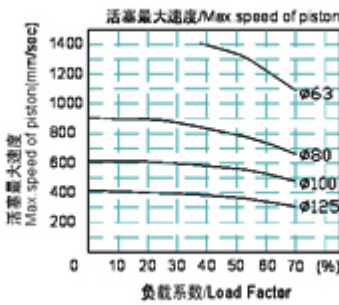
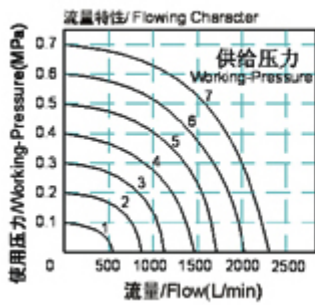
LD23433



Flowing Character



300系列-10/300 Series-10



Test Condition

Pressure:05MPa

Tube:PU(Pipe)10 ×7.5 (Bore):7.5mm

Fitting

4V310-08:PC8-02

4V310-10:PC8-03

Load Factor:Load Factor=(Load / Cylinder theoretical output power ) ×100%

Cylinder Stroke:300mm

Value model:4V300series

## **Company Information:**

### **Company Name:**

Ningbo Lida Pneumatic Kit Co.,Ltd.

**Website:**<http://www.cn-lida.com>

### **Address:**

Eighth Quarter, Zhongxing East Road, Xikou, Fenghua, Zhejiang, China.

Post-code:315500

**Contact Person:**Lacey Liu exporting manager

### **Phone:**

**Telephone:**0086-574-88846388

**Fax:**0086-574-88846288

**Email:**export@nblida.cn