

## 2W2T/3T solenoid valve

Home >> Products >> Directional control valve >> Water solenoid valve >> 2W2T/3T solenoid valve:



### Product description:

Directional control valve product ----- 2V series water solenoid valve can use with air, water and oil. Usually, they are used to control Directional control valve for large flow. Also, they can be used as a low power 2/3 valve.

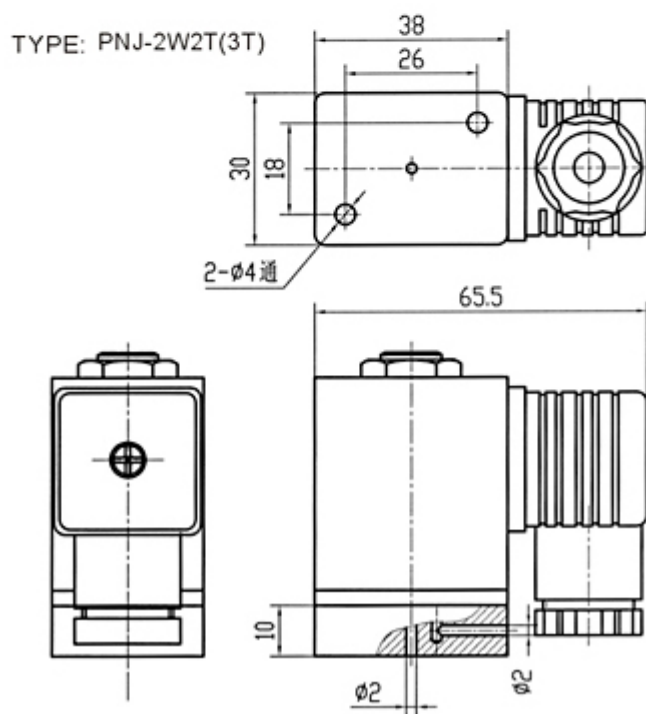
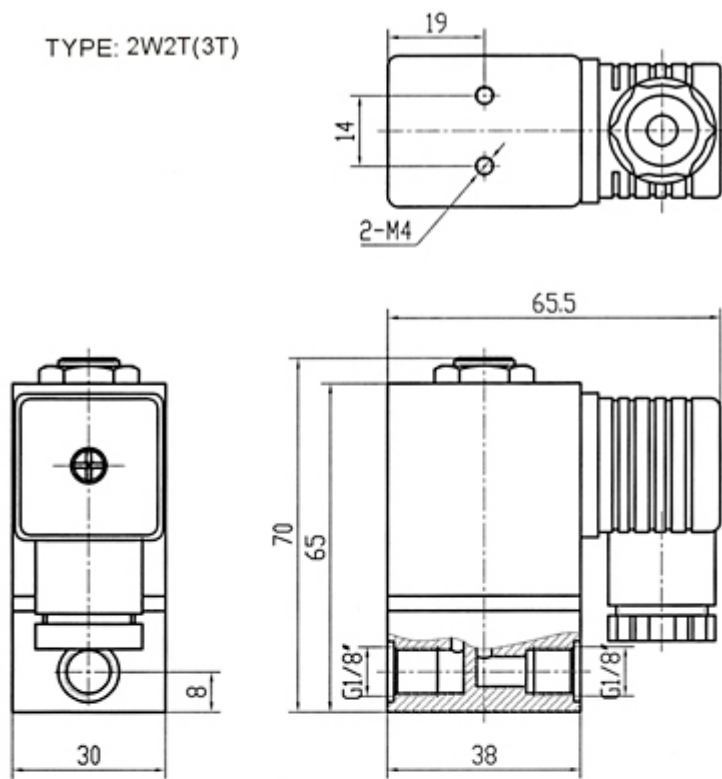
#### Ordering Code

2W	2T	AC220V
Specification Code	Position and Way number	Standard Voltage
	2T:Two-Position Three-way	DC12V
	3T:Two-Position Two-way	DC24V
		AC24V 50Hz/60Hz
		AC110V 50Hz/60Hz
		AC220V 50Hz/60Hz
		AC380V 50Hz/60Hz

#### Specification

Model	2W2T(3T)	PNJ-2W2T(3T)
Working Medium	Air,Water, Oil	
Motion Pattern	Direct Drive Type	
Joint Pipe Bore	G1/8	/
Air Outlet Diameter	φ2	
Operating Temperature Range	-10~80℃	
Voltage Range	±10%	
Working Pressure	0.95Mpa	
Max. Pressure Resistance	Air,Water, Oil:0.05 1.7	
Protection Class	IP65	
Highest Action Frequency	10 Cycle/Sec	
Wiring Form	Lead Wire or Connector Type	
Insulation	F Class	

## Overall Dimension



## Company Information:

**Company Name:**

Ningbo Lida Pneumatic Kit Co.,Ltd.

**Website:**<http://www.cn-lida.com>

**Address:**

Eighth Quarter, Zhongxing East Road, Xikou, Fenghua, Zhejiang, China.

Post-code:315500

**Contact Person:**Lacey Liu exporting manager

**Phone:**

**Telephone:**0086-574-88846388

**Fax:**0086-574-88846288

**Email:**[export@nblida.cn](mailto:export@nblida.cn)