

100 series LD

Home >> Products >> Directional control valve >> LD solenoid valve and air valve >> 100 series LD:



Product description:

These pneumatic directional control valves products ----- solenoid valve of LD series solenoid valve and air valve can replace 3V and 4V valves. LD is same dimensions and function as 3V,4V. They are improved from 3V and 4V valves.

The advantage of LD valves:

LD series adopt imported seal.

LD valve shaft is "HARD ANODIZING" Processed.

LD coil have over loading protecting.

LD working life is 15,000,000 times.

LD seals are non-oil lubricating seals, no lubricant, no pollution.

Ordering code:

LD	25	1	1	1	B	C	AC220V
Compan y Code	Position number	and way Control Type	Series NO	Joint Pipe Bore	Joint Form	Pipe C:Close Type	Three-position Five- way Standrd Voltage
	23:Two-position Three- way	Single electro-control Double	1:100Series	M5:M5x0.8 06:G1/8	Blank:Pipe connection type	E:Exhaust Type P:Preeurs Type	Dc12v Dc24v Ac24v 50Hz/60Hz Ac110v 50Hz/60Hz Ac220v 50Hz/60Hz Ac380v 50Hz/60Hz
	25:Two-position Five- way	Electro-control Single air control			B:Plate connection		
	35:Three-position Five- way	Double air control			Type		

Specification

Model	LD23110LD23210LD23111	LD23211
	LD23310LD23410LD23311	LD23411
Working Medium	40 Micron Filtered Air	

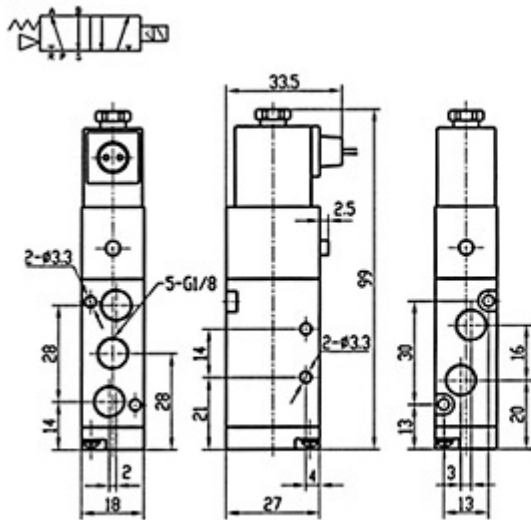
Motion Pattern	Inner Guide Type					
Joint Bore	Pipe 进气=出气=M5 进气=出气=G1/8					
The Position Counting	Two-position Three-way					
Operating Temperature	5~50°C(41-122°F)					
Effective Sectional Area	5.5mm ² (Cv=0.31)	12mm ² (Cv=0.67)	5.5mm ² (Cv=0.31)	5mm ² (Cv=0.28)	12mm ² (Cv=0.67)	9mm ²
Working Pressure	0.15~0.8Mpa					
Max. Pressure Resistance	1.2Mpa					
Power Consumption	AC:4.5VA DC:3W					
Protection Class	IP65(DIN40050)					
Insulation	F 级					
Wiring Form	Lead Wire or Connector Type					
Voltage Range	±10%					
Highest Action Frequency	5 Cycle/Sec					
Shortest Excitation Time	0.05 Second					
Model	LD25110	LD25210	LD35210C	LD35210E	LD35210P	
	LD25310	LD54410	LD35410C	LD35410E	LD35410P	
Working Medium	40 Micron Filtered Air					
Motion Pattern	Inner Guide Type					
Joint Bore	Pipe 进气=出气=排气=M5					
The Position Counting	Two-position	Five-way	Three-position	Five-way	Two-position	Five-way Three-position
Operating	5~50°C(41-122°F)					

Temperature					
Effective					
Sectional Area	12mm ² (Cv=0.67)	5.5mm ² (Cv=0.31)	5mm ² (Cv=0.28)	12mm ² (Cv=0.67)	9mm ² (Cv=0.5)
Working Pressure	0.15~0.8Mpa				
Max. Pressure	1.2Mpa				
Resistance					
Power Consumption	AC:4.5VA DC:3W				
Protection Class	IP65(DIN40050)				
Insulation	F 级				
Wiring Form	Lead Wire or Connector Type				
Voltage Range	±10%				
Highest Action Frequency	5 Cycle/Sec		3 Cycle/Sec		
Shortest Excitation Time	0.05 Second				
Model	LD25111 LD25311	LD25211 LD25411	LD35211C LD35411C	LD35211E LD35411E	LD34211P LD35411P
Working Medium	40 Micron Filtered Air				
Motion Pattern	Inner Guide Type				
Joint Bore	Pipe 进气=出气=排气= G1/8				
The Position Counting	Two-position Five-way	Five-way	Three-position Five-way	Two-position Five-way	Three-position
Operating Temperature	5~50°C(41-122°F)				
Effective					
Sectional Area	12mm ² (Cv=0.67)	5.5mm ² (Cv=0.31)	5mm ² (Cv=0.28)	12mm ² (Cv=0.67)	9mm ² (Cv=0.5)
Working Pressure	0.15~0.8Mpa				
Max. Pressure	1.2Mpa				

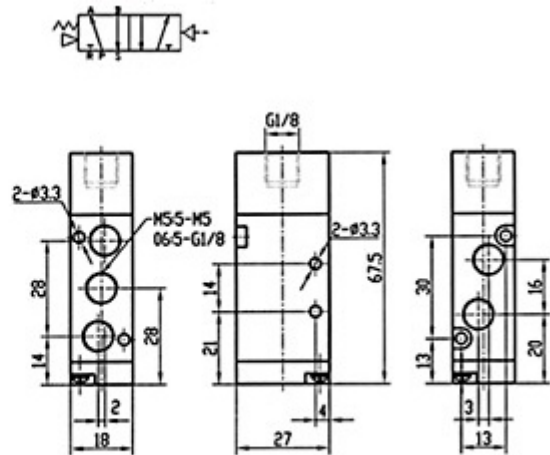
Pressure
 Resistance
 Power AC:4.5VA DC:3W
 Consumption
 Protection Class IP65(DIN40050)
 Insulation F 级
 Wiring Form Lead Wire or Connector Type
 Voltage Range $\pm 10\%$
 Highest Action 5 Cycle/Sec 3 Cycle/Sec
 Frequency
 Shortest Excitation 0.05 Second
 Time

Overall Dimension

LD25111

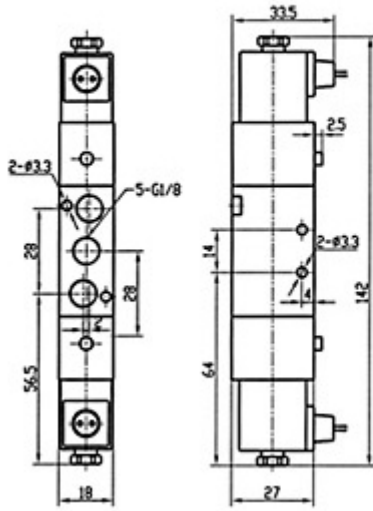
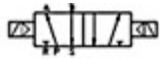


LD25311

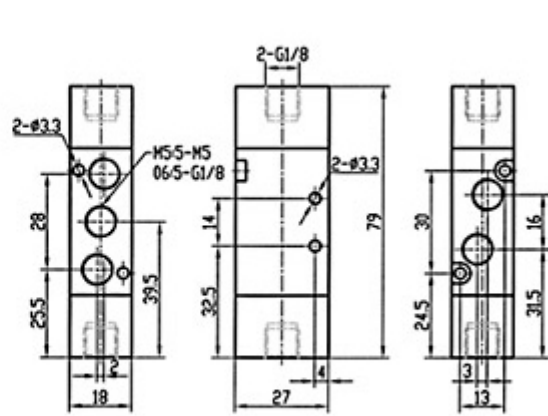


LD25211

LD25411



LD35211C



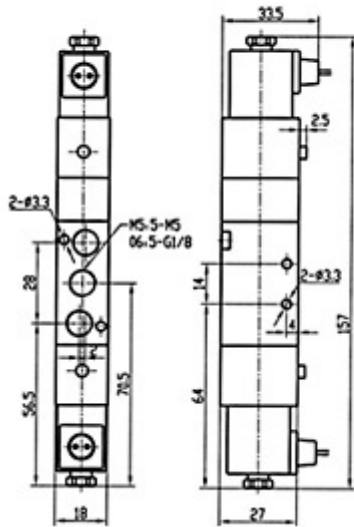
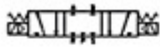
LD35411C

LD35211E

LD35211P

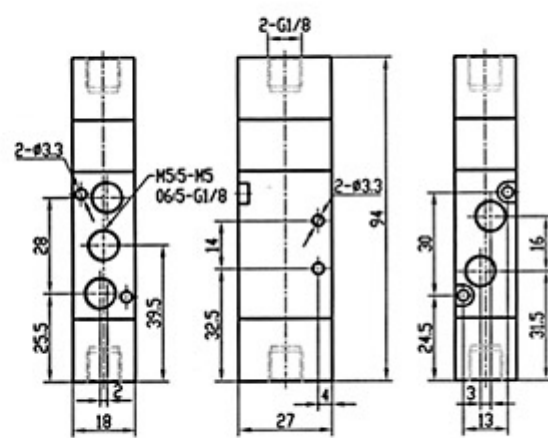
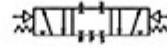
LD35411E

LD35411P



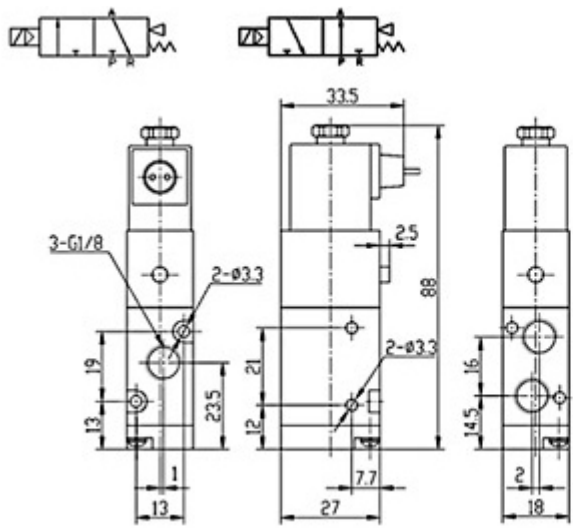
LD23111NC

LD23111NO

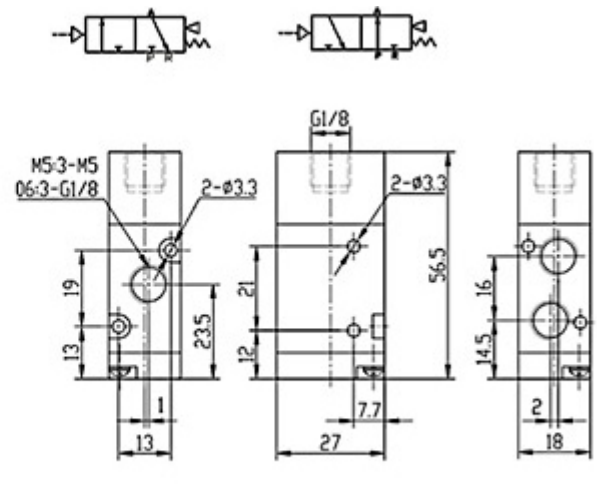


LD23311NC

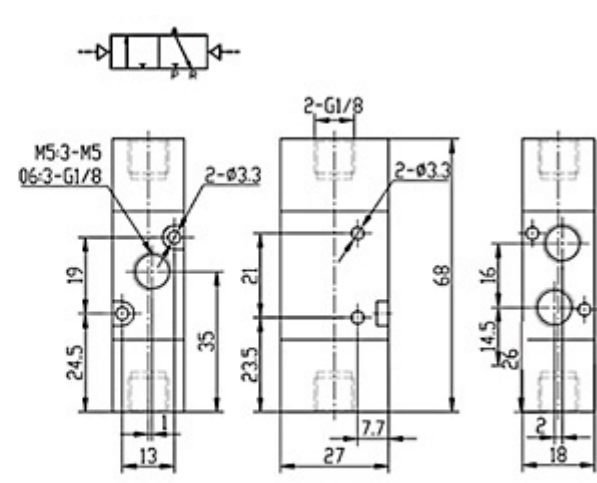
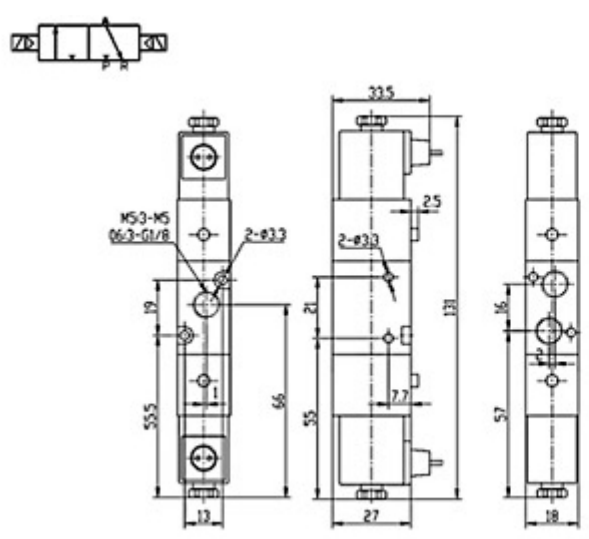
LD23311NO



LD23211

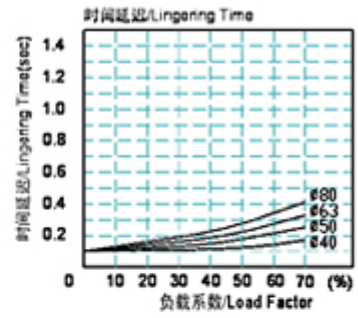
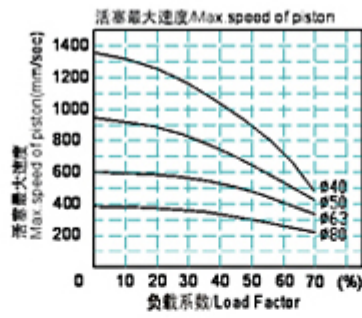
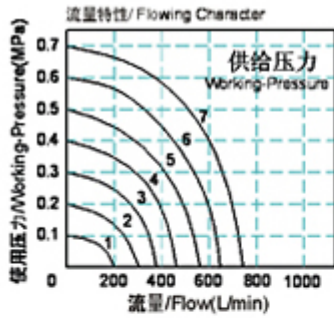


LD23411

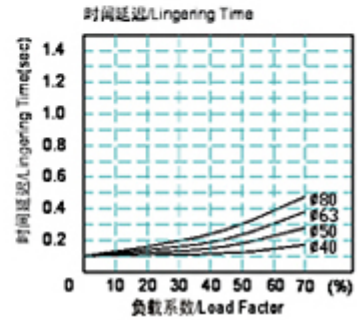
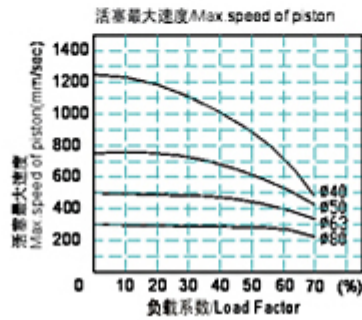
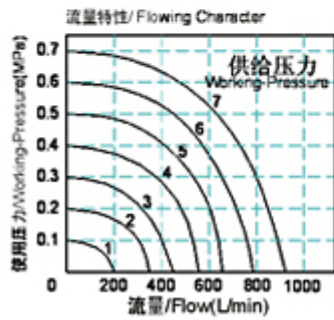


Flowing Character

100Series-M5



100系列-06/100 Series-06



Test Condition

Pressure:05MPa

Tube:PU(Pipe)6×4 (Bore):4mm

Fitting

4V110-M5:PC6-M5

4V110-06:PC6-01

Load Factor:Load Factor=(Load / Cylinder theoretical output power) ×100%

Cylinder Stroke:300mm

Value model:4V100series

Company Information:

Company Name:

Ningbo Lida Pneumatic Kit Co.,Ltd.

Website:<http://www.cn-lida.com>

Address:

Eighth Quarter, Zhongxing East Road, Xikou, Fenghua, Zhejiang, China.

Post-code:315500

Contact Person:Lacey Liu exporting manager

Phone:

Telephone:0086-574-88846388

Fax:0086-574-88846288

Email:export@nblida.cn